

U2™ Hip Stem

Femoral Hip System



U2 Hip Stem -

The U2 Hip Stem System is a cylindrical stem system used in primary hip arthroplasty. The stem options available under this system are Porous coated stem, HA coated stem, and Cemented stem.

The U2 Hip Stem System adopts a Tri-wedge geometry for implant fixation. A unique matrix size distribution (available only in Porous coated stem and HA coated stem options) is available to provide optimal proximal and distal canal distributions for broader patient morphological conditions to achieve implant fit-and-fill. In addition, a cemented stem option that utilizes the same surgical instrumentation is also available as a backup solution when unexpected bone quality is identified.



Novel Matrix Sizing Enables Optimal Fit and Fill

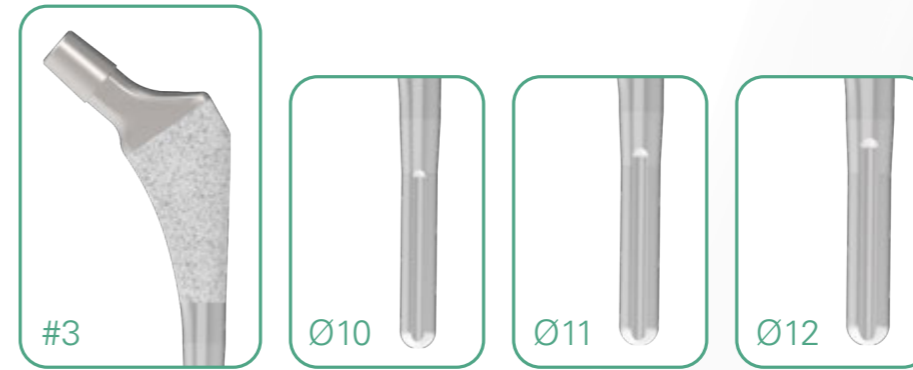
When encountering various canal shapes, the potential for mismatching in the shape of the bone and the implant should be minimized to prevent excessive micromotion and loosening. Therefore, a close geometric fit and fill between proximal and distal canal is essential in the design of press-fit total hip implants.

Unique matrix sizing design in U2 Matrix HA Stem and U2 Matrix Porous Stem, addresses both proximal and distal canal "fit-and-fill" in order to achieve optimal load transfer and excellent initial stability in a variety of femoral canal shapes.

Proximal Size (#, Size)	#7								#7
	#6					#6	#6		
	#5				#5	#5			
	#4			#4	#4				
	#3		#3	#3	#3				
	#2		#2	#2					
	#1		#1						
	#0	#0							
	#0	8	9	10	11	12	13	14	15
Distal Diameter (Ø, mm)									

Matrix sizing distribution chart for U2 Matrix Porous Stem and U2 Matrix HA Stem

Examples of Matrix Size Distribution



- Proximal size 3 is available in 10, 11 and 12 mm distal diameter options



- 11 mm distal diameter is available in #2, #3 and #4 proximal size options



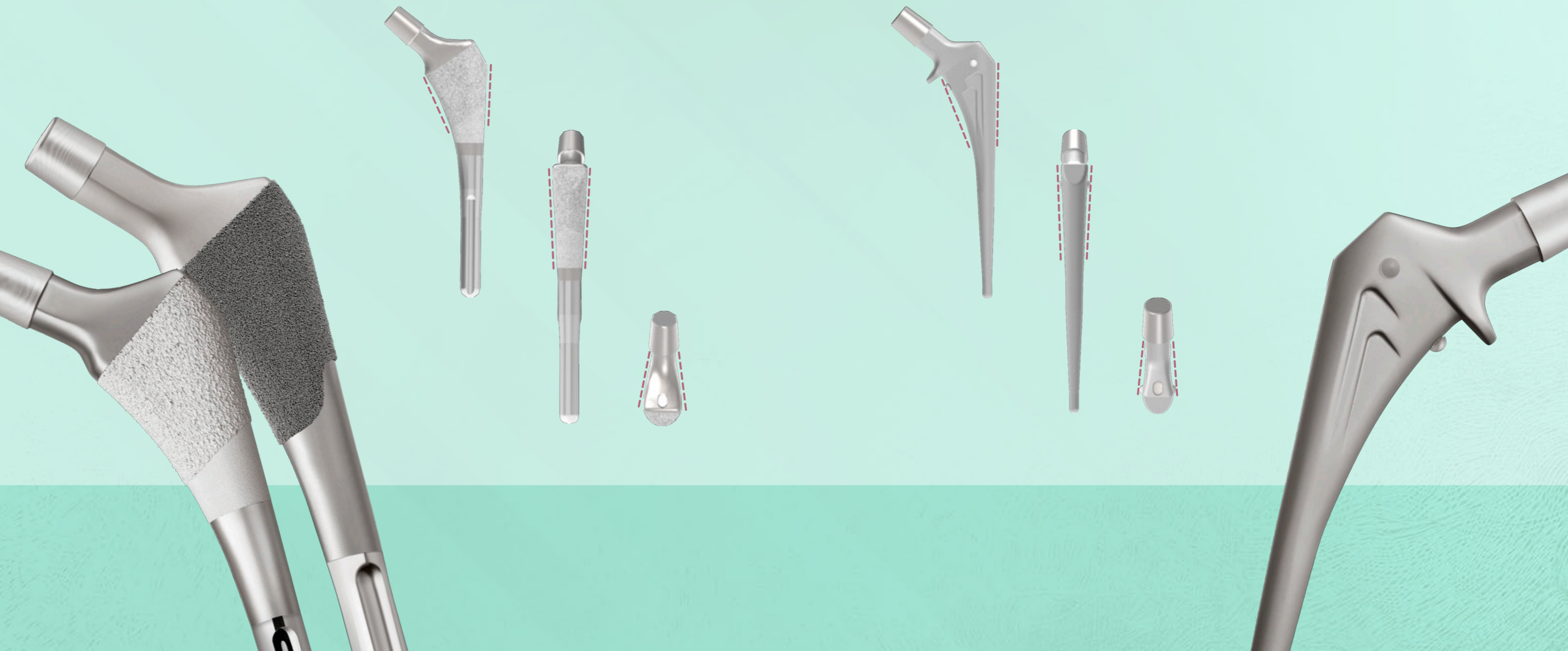
The U2 Hip Stem has a Tri-Wedge geometry design which helps to promote stem stability in press-fit or cemented fixation.

Tri-Wedge Design in U2 Matrix Porous Stem and U2 Matrix HA Stem

Provides axial and rotational stability.
Helps to achieve normal proximal load transfer and reduce the potential for stem subsidence.

Tri-Wedge Design in U2 Cemented Stem

Helps to reduce the potential for cement failure and increased torsional stability.



U2 Matrix HA Stem

Tri-Wedge Design

- Provides axial and rotational stability
- Helps achieve normal proximal load transfer and reduces the potential for stem subsidence

Titanium Plasma Spray with Hydroxyapatite Coating

- Designed to improve biological fixation



12/14 Neck Taper

- Accommodate a complete selection of femoral heads

Distal Polish Design

- Intended to prevent proximal stress shielding



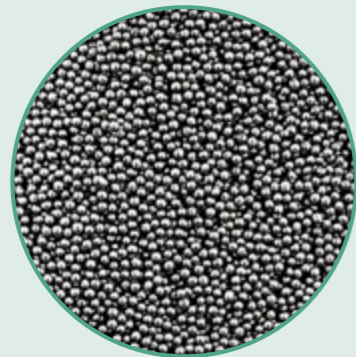
U2 Matrix Porous Stem

Tri-Wedge Design

- Provides axial and rotational stability
- Helps achieve normal proximal load transfer and reduces the potential for stem subsidence

Sintered Titanium Bead, Porous Coating

- Designed for biological fixation



12/14 Neck Taper

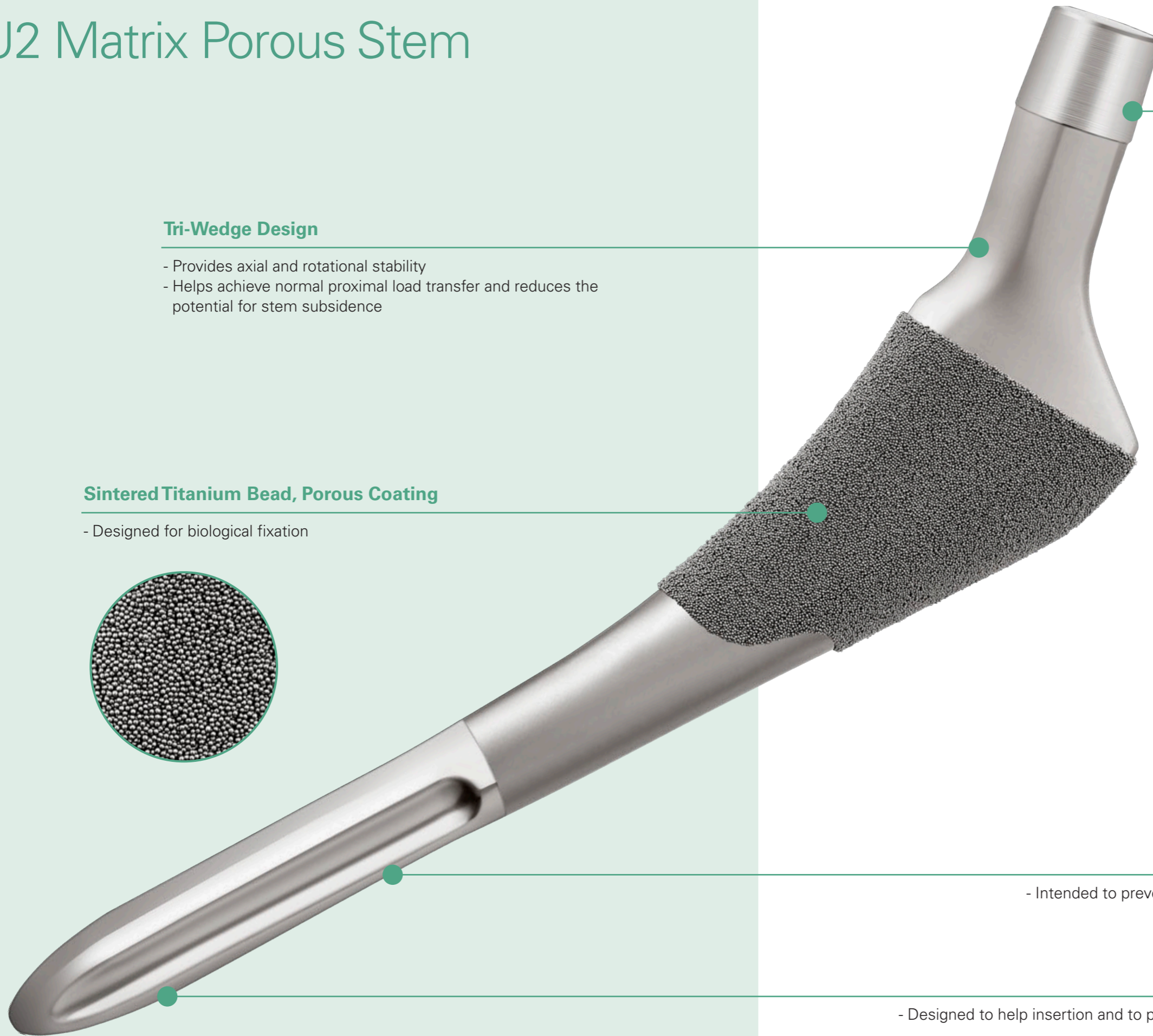
- Accommodate a complete selection of femoral heads

Distal Polish Design

- Intended to prevent proximal stress shielding

Tear Drop Distal Tip

- Designed to help insertion and to prevent cortical impingement



U2 Cemented Stem

Backup solution for the U2 Matrix Porous Stem and U2 Matrix HA Stem when unexpected bone quality is identified

Collar Design

- Prevents stem subsidence

- Shares the same instruments with U2 Matrix stems

Forged Cobalt Chrome (CoCr)

- Increased mechanical strength

Centralizer

- Equalizes cement mantle and optimizes correct stem alignment

Cement Restrictor

- Prevent cement leakage

12/14 Neck Taper

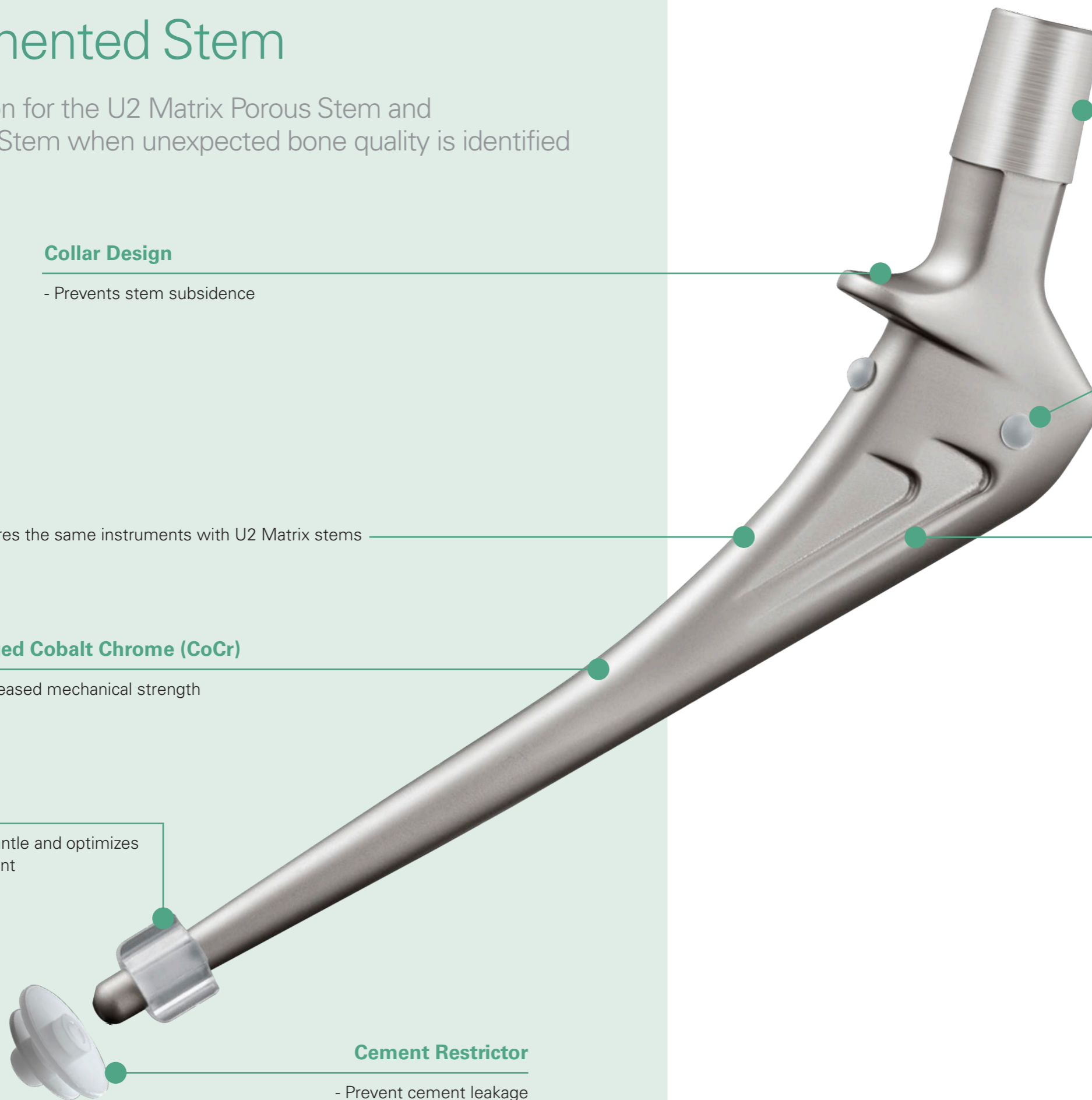
- Accommodates CoCr femoral heads

PMMA Spacer

- Maintains the appropriate cement mantle on each side of the stem

Shark Fin Design

- Transfers hoop stress to compression stress



Size Distribution

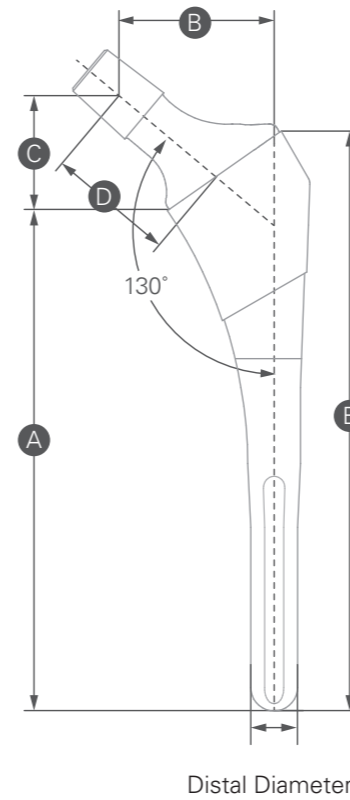
Stem Size	Distal Diameter (mm)
#2	Ø10
#3	Ø11
#4	Ø12
#5	Ø13
#6	Ø14

Order Information

U2 Matrix HA Stem



Catalog Number	Description
1104 - 1001	# 0, Ø 8 mm
1104 - 1012	# 1, Ø 9 mm
1104 - 1023	# 2, Ø 10 mm
1104 - 1024	# 2, Ø 11 mm
1104 - 1033	# 3, Ø 10 mm
1104 - 1034	# 3, Ø 11 mm
1104 - 1035	# 3, Ø 12 mm
1104 - 1044	# 4, Ø 11 mm
1104 - 1045	# 4, Ø 12 mm
1104 - 1055	# 5, Ø 12 mm
1104 - 1056	# 5, Ø 13 mm
1104 - 1066	# 6, Ø 13 mm
1104 - 1067	# 6, Ø 14 mm
1104 - 1078	# 7, Ø 15 mm



Size	Distal Diameter	A Medial Length	B Offset	C Vertical Height	D Neck Length	E Lateral Length
#0	8	106	30	22.7	27	120
#1	9	110	35	24.2	30	126
#2	10	115	36	24.3	30	132
#3	10	113	39	28.2	34	132
#2	11	121	36	24.3	30	138
#3	11	119	39	28.2	34	138
#4	11	118	39	29.3	34	138
#3	12	126	39	28.2	34	145
#4	12	125	39	29.3	34	145
#5	12	124	43	33.2	38	145
#5	13	131	43	33.2	38	152
#6	13	129	45	36.6	41	152
#6	14	135	45	36.6	41	158
#7	15	142	45	37.5	41	166

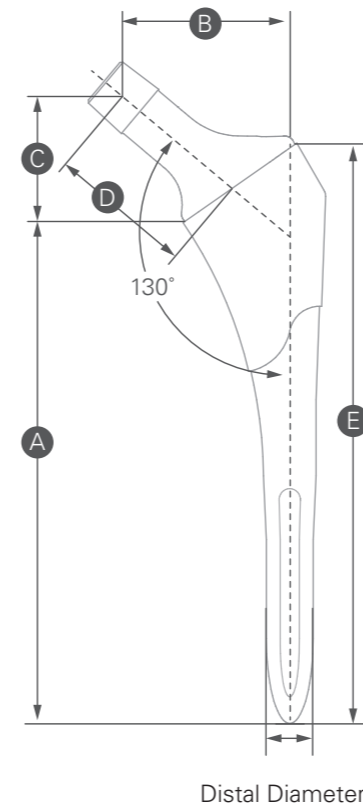
Unit: mm

Order Information

U2 Matrix Porous Stem



Catalog Number	Description
1104 - 3212	# 1, Ø 9 mm
1104 - 3223	# 2, Ø 10 mm
1104 - 3224	# 2, Ø 11 mm
1104 - 3233	# 3, Ø 10 mm
1104 - 3234	# 3, Ø 11 mm
1104 - 3235	# 3, Ø 12 mm
1104 - 3244	# 4, Ø 11 mm
1104 - 3245	# 4, Ø 12 mm
1104 - 3255	# 5, Ø 12 mm
1104 - 3256	# 5, Ø 13 mm
1104 - 3266	# 6, Ø 13 mm
1104 - 3267	# 6, Ø 14 mm
1104 - 3278	# 7, Ø 15 mm



Size	Distal Diameter	A Medial Length	B Offset	C Vertical Height	D Neck Length	E Lateral Length
#1	9	110	35	24.2	30	126
#2	10	115	36	24.3	30	132
#3	10	113	39	28.2	34	132
#2	11	121	36	24.3	30	138
#3	11	119	39	28.2	34	138
#4	11	118	39	29.3	34	138
#3	12	126	39	28.2	34	145
#4	12	125	39	29.3	34	145
#5	12	124	43	33.2	38	145
#5	13	131	43	33.2	38	152
#6	13	129	45	36.6	41	152
#6	14	135	45	36.6	41	158
#7	15	142	45	37.5	41	166

Unit: mm

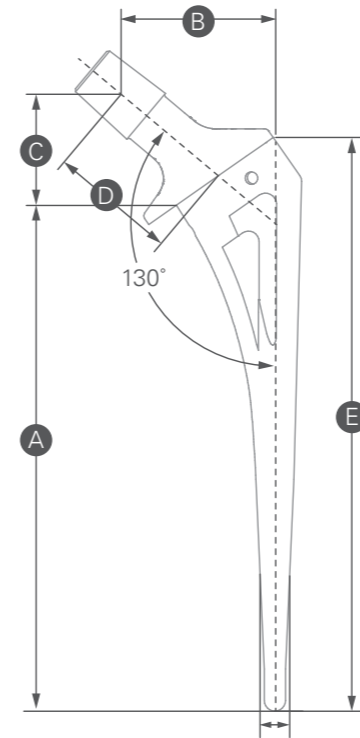
Order Information

U2 Cemented Stem



Catalog Number	Description
1104 - 5223	# 2, Ø 10 mm
1104 - 5234	# 3, Ø 11 mm
1104 - 5245	# 4, Ø 12 mm
1104 - 5256	# 5, Ø 13 mm
1104 - 5267	# 6, Ø 14 mm

Centralizer



Distal Diameter

Size	Distal Diameter	A Medial Length	B Offset	C Vertical Height	D Neck Length	E Lateral Length
#2	10	110	36	23.7	30	126
#3	11	115	39	27.3	34	132
#4	12	120	39	28.4	34	138
#5	13	125	43	32.4	38	144
#6	14	130	45	35.7	41	151

Unit: mm

Catalog Number	Size	Canal Size (mm)
----------------	------	-----------------

Cement Restrictor



1905 - 7007	# 7	7
1905 - 7008	# 8	8
1905 - 7009	# 9	9
1905 - 7010	# 10	10
1905 - 7011	# 11	11
1905 - 7012	# 12	12
1905 - 7013	# 13	13
1905 - 7014	# 14	14
1905 - 7015	# 15	15
1905 - 7016	# 16	16

Cement Restrictor, I-Type



1907 - 1008	# 8	8 - 9
1907 - 1010	# 10	10 - 11
1907 - 1012	# 12	12 - 13
1907 - 1014	# 14	14 - 15
1907 - 1016	# 16	16 - 17
1907 - 1018	# 18	18 - 19

Please note that all United Orthopedic Corporation product brochures have been authored in the English language. Any translations into other languages have not been reviewed or approved by United Orthopedic Corporation and their accuracy cannot be confirmed. Any questions regarding United Orthopedic Corporation products should be directed to United Orthopedic Corporation at unitedorthopedic.com/contact.

The CE mark is valid only if it is also printed on the product label.



Importiert & vertrieben in der Schweiz durch
Importé & distribué en Suisse par
Importato e distribuito in Svizzera da

 **PLUSORTHO**
PROTHETIK

Aeschwahrstrasse 54 info.ch@plusortho.ch
CH-4665 Oftringen tel +41(0)62 788 2010
www.plusortho.ch fax +41(0)62 788 2011

